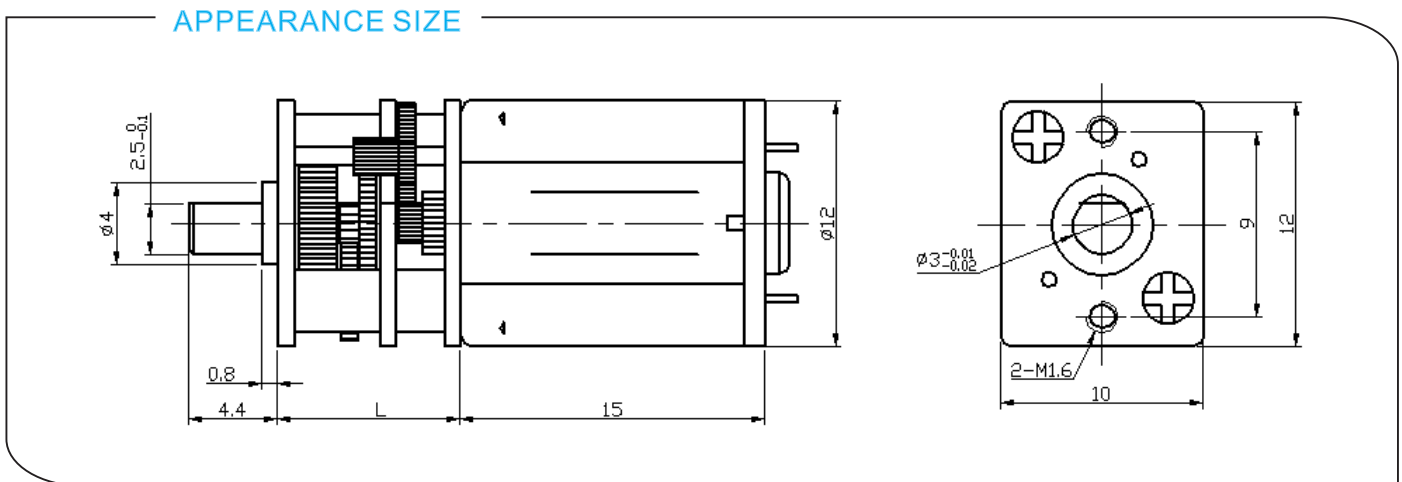


DS-12SSN20 DC SPUR GEAR MOTOR

Main Voltage : 3VDC、4.5VDC、6VDC、12VDC

Typical Applications :

Instrument, Digital product, Automatic door-lock,
Medical equipment, Security monitoring



Gearbox Data:

Number of stages	2	4	5	7
Reduction ratio	3、5、10	17、20、30、36 50、63、100	110、150、210 250、298、380	372、625、1000
Gearbox length "L"mm	9	9	9	12
Breaking torque(kgf.cm)	0.6	0.9	1.2	2
Gearbox efficiency	81%	65%	59%	48%

Driving Motor Data:

Motor model	Rated Volt.	No load		Load				Stall	
		Current	Speed	Current	Speed	Torque	Output power	Torque	Current
	V	mA	r/min	mA	r/min	gf.cm	W	gf.cm	mA
DS-N20-003-10000	3	≤50	10000	≤185	8000	2	0.2	≥8	≥350
DS-N20-003-15000	3	≤80	15000	≤280	12400	3	0.4	≥12	≥520
DS-N20-003-20000	3	≤110	20000	≤370	15500	4	0.6	≥16	≥700
DS-N20-006-10000	6	≤25	10000	≤95	8000	2	0.2	≥8	≥160
DS-N20-006-15000	6	≤40	15000	≤145	12400	3	0.4	≥12	≥250
DS-N20-006-20000	6	≤60	20000	≤190	15500	4	0.6	≥16	≥320

Remark:

Gear Motor Torque=Driving motor torque*Reduction ratio*Gearbox efficiency;

Gear Motor Speed=Driving motor speed/Reduction ratio

Motor detailed config can be customized according to customer's requests,
like voltage,speed,as well as shaft length and shape...

Welcome OEM or ODM projects